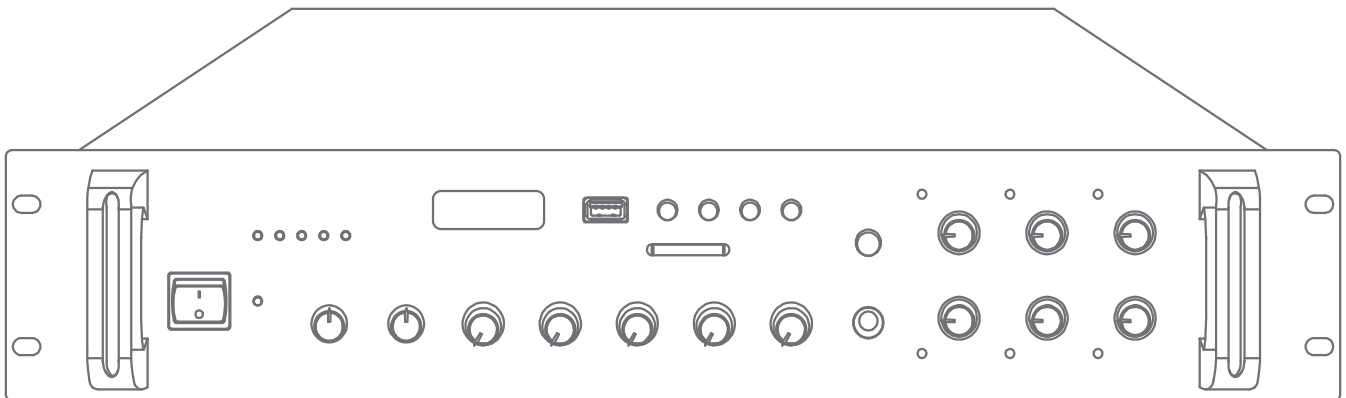




# MX350

## USER MANUAL MANUAL DO UTILIZADOR



Multi-Zone Mixer Amplifier  
Amplificador Misturador Multi-Zona

# CONTENTS

---

## INTRODUCTION

GENERAL DESCRIPTION	-1-
UNPACKING	-1-
PACKAGING CONTENTS	-1-
FEATURES	-1-
SAFETY FIRST	-1-
WARNINGS	-1-

## GETTING STARTED

MX350 FRONT PANEL	-2-
MX350 REAR PANEL	-2-
REMOTE CONTROL	-3-
OPERATING INSTRUCTIONS	-3-

## HANDS-ON

CONNECTIONS	-4-
INPUT CONNECTIONS	-4-
LOW IMPEDANCE OUTPUT	-4-
100V LINE ZONE OUTPUT	-4-

## SERVICE

WARRANTY POLICY	-5-
CORRECT DISPOSAL	-5-
TECHNICAL SPECIFICATIONS	-5-

## SIMPLIFIED EU DECLARATION of CONFORMITY

Hereby, CVA ELECTRONICA, LDA declares that this radio equipment type is in compliance with Directive 2014/53/EU. The full text of the EU declaration of conformity is available at the following internet address:  
[www.nextaudiogroup.com/en/apoio-ao-cliente/downloads](http://www.nextaudiogroup.com/en/apoio-ao-cliente/downloads)

## INTRODUÇÃO

DESCRIÇÃO GERAL	-6-
DESEMBALANDO	-6-
CONTEÚDOS DA EMBALAGEM	-6-
FUNCIONALIDADES	-6-
SEGURANÇA EM PRIMEIRO LUGAR	-6-
AVISOS	-6-

## PRIMEIROS PASSOS

PAINEL FRONTAL MX350	-7-
PAINEL TRASEIRO MX350	-7-
CONTROLO REMOTO	-8-
INTRUÇÕES DE OPERAÇÃO	-8-

## MÃOS À OBRA

LIGAÇÕES	-9-
LIGAÇÕES DE ENTRADA	-9-
SAÍDA DE BAIXA IMPEDÂNCIA	-9-
SAÍDA DE ZONAS EM LINHA DE 100V	-9-

## MANUTENÇÃO

POLÍTICA DE GARANTIA	-10-
DESCARTE CORRETO DO PRODUTO	-10-
ESPECIFICAÇÕES TÉCNICAS	-10-

## DECLARAÇÃO DE CONFORMIDADE CE SIMPLIFICADA

Por este meio, a CVA ELECTRONICA, LDA declara que este tipo de equipamento de rádio está em conformidade com a Diretiva 2014/53/UE. O texto completo da declaração de conformidade CE está disponível no seguinte endereço de Internet:

[www.nextaudiogroup.com/pt/apoio-ao-cliente/downloads](http://www.nextaudiogroup.com/pt/apoio-ao-cliente/downloads)

# INTRODUCTION

---

## GENERAL DESCRIPTION

Thank you for purchasing a NEXT Audiocom MX350 multi-zone amplifier. This user manual will provide you with useful and important information about your equipment. Please devote some time reading it and keep it at hand for future reference.

**ATTENTION!** Because of the continuous evolution of techniques and standards, NEXT Audiocom reserves the right to change the specifications of its products without warning. For the most updated version of this manual and general information about this and other products, please visit our website [www.nextaudiocom.com](http://www.nextaudiocom.com).

## UNPACKING

NEXT Audiocom's products are built under strict quality guidelines and supervision, according to the highest standards. When unpacking your product, carefully examine it for any signs of possible transit damage and inform your dealer immediately if any such damage has occurred. It is suggested that you retain the original packaging so that the product can be repacked in the future when necessary. Please note that NEXT Audiocom and its authorized distributors cannot accept any responsibility for damage to any returned product using non-approved packaging.

## PACKAGING CONTENTS:

- NEXT Audiocom MX350
- Remote Control
- IEC Power Cable
- FM Antenna Cable
- RCA Cable
- User Manual

## FEATURES

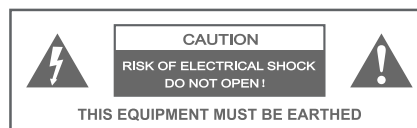
- Integrated platform comprised of an amplifier, a 6 zones controller, an MP3 player from USB pen or SD card, FM tuner and bluetooth
- Infrared remote control
- LED Screen to display volume, MP3, FM tuner and bluetooth information
- 4 microphone inputs and 3 auxiliar inputs
- 1 signal output
- 4Ω-16Ω rated output impedance for the low impedance output
- 100V Line Output
- Priority microphone input and Chime function with ducking control
- Bass and Treble control
- LED meter for output level visualization
- DC voltage, overload, and Short circuit protections

## SAFETY FIRST

Please take some time to review the following statements concerning safe use of your NEXT Audiocom MX350.

- Read these instructions
- Keep these instructions
- Heed all warnings
- Follow all instructions
- Before installing, observe the applicable safety regulations for your country
- Never install close to ignition or heat sources such as radiators, ovens or any other apparatus that produce heat.
- Do not use or install the equipment near water or exposed to rain
- If the equipment is not functioning properly or has been damaged in any way, switch it off immediately
- Do not open or try to service the equipment. It may only be repaired by authorized, qualified personnel
- Clean the equipment using only a clean dry cloth

## WARNINGS



### CAUTION:

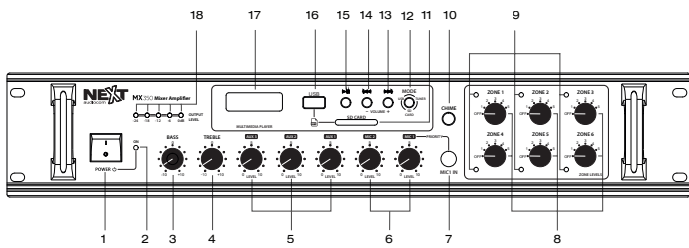
Never remove the cover, because otherwise there may be a risk of electric shock. There are no user serviceable parts inside. Have repairs carried out only by qualified service personnel.

The lightning flash with arrowhead symbol within an equilateral triangle is intended to alert the user to the presence of uninsulated "dangerous voltage" within the product's enclosure that may be of sufficient magnitude to constitute a risk of electrical shock.

The exclamation mark within an equilateral triangle is intended to alert the user to the presence of important operating and maintenance instructions.

# GETTING STARTED

## MX350 FRONT PANEL



### 1. Power Switch

Switches the MX350 On or Off

### 2. LED Power Indicator

Lights red when the MX350 is turned On

### 3. Bass Adjustment Knob

Increase or decrease the system's bass response

### 4. Treble Adjustment Knob

Increase or decrease the system's treble response

### 5. Auxiliary Inputs Volume Knobs

Increase or decrease the auxiliary inputs' volume

### 6. Microphone 1 and 2 Volume Knobs

Increase or decrease the microphone inputs' volume

### 7. Microphone 1 Input

This microphone channel is the one to be used for announcements and other communications that require priority

### 8. Zone Volume Adjustment Knobs

Increase or decrease each zone volume individually

### 9. Zone Level LED Indicators

Indicates the presence of audio in each zone

### 10. Chime Button

Press to play a chime tone

### 11. MP3 SD Card Slot

Insert a SD card to play MP3 audio content

### 12. Mode Button

Press to switch between MP3 player, FM Tuner, Auxiliary wired connections and Bluetooth mode

### 13. Next/Forward Button

**MP3/Bluetooth:** Press to play next song. Long-press to increase general input volume

**FM Tuner:** Press to switch to the next memorized station.

Long-press to increase the tuner general input volume

### 14. Previous/Backwards Button

**MP3/Bluetooth:** Press to play previous song. Long-press to decrease general input volume

**FM Tuner:** Press to switch to the previous memorized station.

Long-press to decrease the tuner general input volume

### 15. Play/Pause Button

**MP3/Bluetooth:** Press this button to play or pause the currently selected song

**FM Tuner:** Automatically search and memorize all available radio stations

### 16. USB Port (MP3 Only)

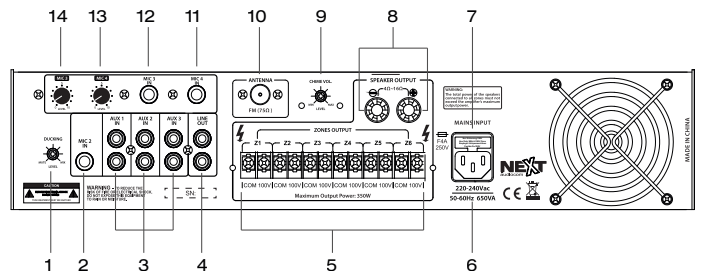
Port for connecting a USB data device

### 17. LED Display

### 18. LED Level Meter

Offers a visual display of the amplifier's volume level

## MX350 REAR PANEL



### 1. Ducking Control Potentiometer

Defines the level difference between common and priority signals

### 2. Microphone 2 Input

### 3. Auxiliary Inputs RCA Connectors

### 4. Line Output RCA Connectors

Signal output for external audio device

### 5. Speaker Zones Output

Connect only 100V speakers

### 6. AC Voltage Input IEC connector

### 7. AC Main Fuse

F4A - 250V

### 8. Low Impedance Speaker Output

To connect speakers ranging from 4Ω-16Ω

### 9. Chime Volume Potentiometer

Increases or decreases the chime function level

### 10. FM Radio Antenna Connector

Connect a suitable 75Ω antenna (Supplied)

### 11. Microphone 4 Input

TRS connector

### 12. Microphone 3 Input

TRS connector

### 13. Microphone 4 Volume Potentiometer

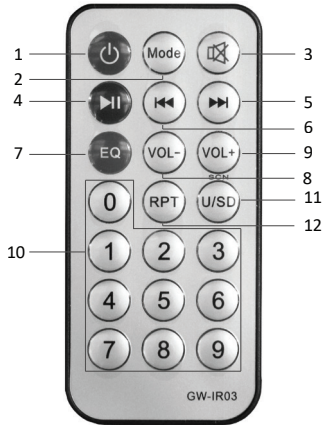
Increases or decreases the microphone 4 level

### 14. Microphone 3 Volume Potentiometer

Increases or decreases the microphone 3 level

# GETTING STARTED

## REMOTE CONTROL



### 1. On/Off

Switches the MX350 On or Off

### 2. Mode

Switch between MP3, AUX, FM Tuner and Bluetooth functions

### 3. Mute

MP3/FM Tuner mute button. Press once to mute, press again to unmute

### 4. Play/Pause

**MP3/Bluetooth:** Press once to play. When playing press once to pause, press again to continue playing

**FM Tuner:** Press to cycle through the memorized radio station channels in order

### 5. Forward

**MP3/Bluetooth:** Select or jump to the next song

**FM Tuner:** Select the next saved radio station channel

### 6. Backwards

**MP3/Bluetooth:** Select or jump to the previous song

**FM Tuner:** Select the previous saved radio station channel

### 7. EQ

**MP3:** Select between Classic, Jazz, Rock, Bass enhanced, and Pop predefined equalizer setups

**FM Tuner:** Call a memorized radio station using the channel number

### 8. Volume Down

Decrease overall volume

### 9. Volume Up

Increase overall volume

### 10. Numerical Keypad

### 11. U/SD

**MP3:** Cycle between USB, SD, or both

**FM Tuner:** Automatic scanning

### 12. Repeat

Only works in MP3 mode, press to cycle between repeating only the current song and repeating all songs (playlist style)

## OPERATING INSTRUCTIONS

**FM TUNER** - To enable the FM Tuner press the "Mode" button either on the front panel (page 2 button 12) or on the remote control (page 3 button 2) until "RAD" appears on the display. Do not forget to connect the antenna cable for the tuner to work properly.

**Automatic Scanning** - Press the Play/Pause Button on the front panel (page 2 button 15) or the U/SD button on the remote control to execute an automatic sweep and save the radio frequencies where a station is present. The MX350 will assign an ID number to each station which also corresponds to the memory number. With this process completed, the MX350 will go back to memory 1.

### Browse Stations - Using the front panel buttons

Press once the forward button on the front panel (page 2 button 13) to listen to the radio station memorized on the next memory position or press once the backwards button (page 2 button 14) to listen to the one stored at the previous memory position. Long pressing any of these buttons will either increase or decrease the sound volume. There is no way to fast-browse the radio channel memories using the front panel of the MX350.

### Browse Stations - Using the remote control

Press the play/pause button (page 3 button 4) to listen to the radio station memorized on the next memory position or press the EQ button to listen to the radio station memorized on the previous memory position. You can also directly select a specific channel using the numerical keypad. Just type the ID number of the memory you want to listen to.

**Manual Tuning and Fine Tuning** - On the remote control only, it is possible to manually tune or fine-tune. Pressing the forward button (page 3 button 5) will increase the tuning frequency and pressing the backwards button (page 3 button 6) will decrease the tuning frequency.

**MP3 PLAYER** - The MP3 player is automatically enabled as soon as you insert a USB stick or SD card. Whatever is playing is interrupted and the program on the data device will be reproduced. If the USB Stick or the SD card are already inserted, press the mode button (page 2 button 12; page 3 button 2) until the display shows USB or SD.

**Reproduction** - Any present MP3 tracks are played automatically as soon as a data device is inserted. The MP3 files may be either in the root of the device or in folders. Other file types will be ignored if they exist. Press play/pause button on the front panel (page 2 button 15) or the remote control (page 3 button 4) to interrupt the reproduction and press again to resume. Press forward button to play next song and the backwards button to play the previous song. You can also directly input the number correspondent to the track you

want to listen. Just type the track ID number.

**Sorting MP3 tracks** - You may want to play your tracks in a specific order. Change the name of the tracks inserting the number correspondent to the order you wish followed by a dot. Ex.: 1.track\_x.mp3, 2.track\_y.mp3, etc.

**Repeat** - The repeat function can be activated only on the remote control. Press the repeat button (page 3 button 12) once to repeat the current song. Press again to repeat all songs like a playlist.

**U/SD function button** - On the remote control, press the U/SD button to cycle between the USB device and the SD card device, but also allows playing the tracks in both devices as if they were one.

**Pairing Bluetooth Device** - Press the "Mode" button either on the front panel (page 2 button 12) until "bt" appears flashing on the display. On your mobile device search for "NEXT MX350" and type "2020" as password. The "bt" stops flashing.

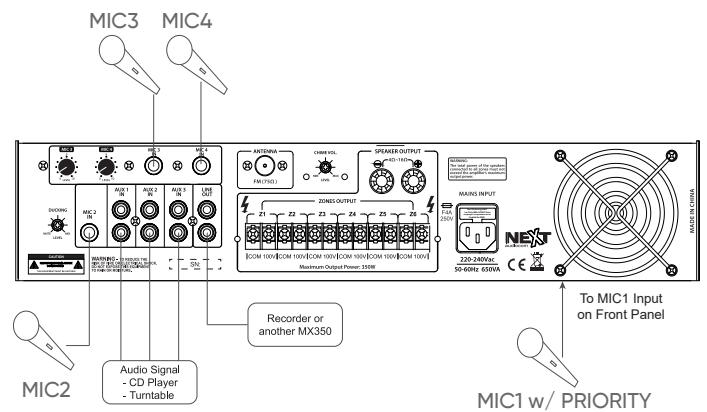
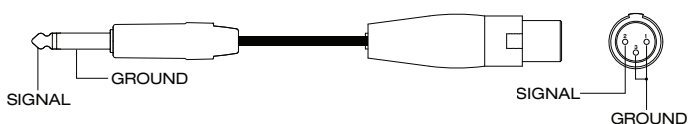
## PRIORITY ANNOUNCEMENTS

The MX350 supports a ducking function where, when a priority signal is present, the volume of the regular signals is reduced to improve the message intelligibility. The Mic 1 input and the Chime function are considered as priority signals. When you press the Chime button or talk to Mic 1, the other signals are reduced in level. The level values are defined individually. Both the Chime volume potentiometer and the Ducking potentiometer are located at the rear panel (page 2).

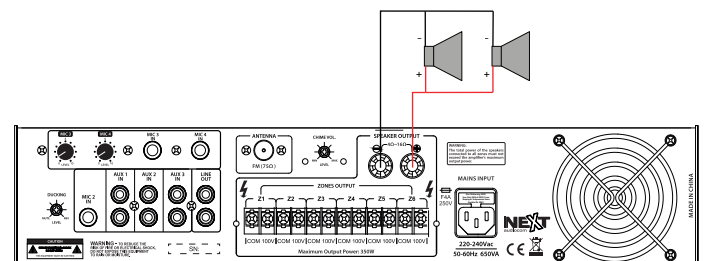
## CONNECTIONS

### INPUT CONNECTIONS

In the MX350, the Auxiliary mode disables the Tuner/MP3 module and enables working only with cable connected equipment such as CD Players, Tuners, Turntables or others. Press the MODE button (page 2 button 12; page 3 button 2) until the display shows "AUX". There are 3 auxiliary RCA inputs, and 4 microphone jack inputs (not balanced). A signal output is also available as RCA outputs where a recording device or an external amplifier can be connected.



### LOW IMPEDANCE OUTPUT



To use the MX350 as a regular mono low impedance amplifier connect the speakers to the binding posts as shown above. Be careful not to switch polarities between speakers to minimize comb filtering and bass cancellation effects due to "out of phase" speakers. The minimum impedance allowed by the amplifier is 4Ω (two speakers of 8Ω connected in parallel).

### 100V LINE ZONE OUTPUT

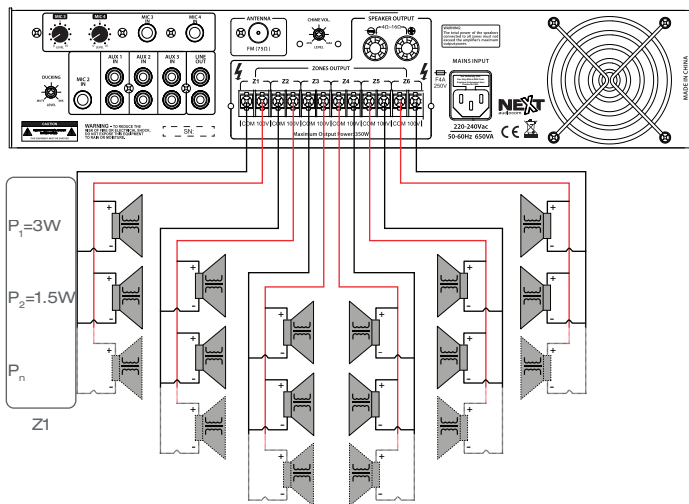
The MX350 allows for the configuration of up to 6 different zones. These are all 100V outputs for distributed lines. These require the use of speakers designed specifically for this kind of output. These speakers will have a transformer as the input, normally with more than one power tap. The 100V distributed line is the best method when you need to deploy many speakers over a wide area. The higher voltage allows for a lower current at the same power rating, which in turn allows the use of longer and thinner cables with little loss.

On the table below you can find the maximum distance a cable can deliver the amplifier full power.

Power/Section	0.75mm <sup>2</sup>	1mm <sup>2</sup>	1.5mm <sup>2</sup>	2.5mm <sup>2</sup>
30W	800m	1066m	1600m	2666m
60W	400m	533m	800m	1333m
120W	200m	266m	400m	666m
240W	100m	133m	200m	333m

# SERVICE

The high impedance also allows the use of more speakers as long as the total sum of the power ratings configured in those speakers is not higher than the power rating of the amplifier. For the MX350 this means that the sum of the power ratings of all the speakers connected in all 6 zones cannot be higher than 350W. For a safe use we recommend it to be 10 to 20% lower to allow for a little headroom to handle peaks from the music program. Using more than this will likely damage the amplifier or at the minimum cause unpleasant distorted sound that given enough time will damage the speakers instead through excessive heat on the speaker's coil.



$$P_{Z1} = P_1 + P_2 + P_n$$
$$P_{Total} = P_{Z1} + P_{Z2} + P_{Z3} + P_{Z4} + P_{Z5} + P_{Z6}$$
$$P_{Total} < 350W$$

## WARNING!

Though the MX350 allows it, never have a low impedance speaker working at the same time as the Zone distributed lines for a long period of time.

## WARNING!

RISK OF ELECTRIC SHOCK – Never try to connect or disconnect the 100V distributed lines with the amplifier powered on. Always disconnect the MX350 from the mains before attempting any changes to the wiring or connections.

## WARRANTY POLICY

NEXT Audiocom products are warranted, by NEXT Audiocom, against manufacturing defects in materials or craftsmanship over a period of 2 years counting from the date of original purchase for final customer. The original receipt of purchase is mandatory for warranty validation purposes, and the product must have been bought from a NEXT Audiocom authorized dealer.

The warranty can be transferred to a subsequent owner during the warranty period, however, this cannot extend the warranty period beyond the original warranty period of two years from the original date of purchase stated on the NEXT Audiocom's invoice. During the warranty period NEXT Audiocom will, at its own discretion, either repair or replace a product which prove to be defective provided that the product is returned in its original packaging, shipping prepaid, to an authorized NEXT Audiocom service agent or distributor.

NEXT Audiocom cannot be held responsible for defects caused by unauthorized modifications, improper use, negligence, exposure to inclement weather conditions, act of God or accident, or any use of this product that is not in accordance with the instructions provided by this manual and/or NEXT Audiocom. NEXT Audiocom is not liable for consequential damages. This warranty is exclusive, and no other warranty is expressed or implied.

This warranty does not affect your statutory rights.

## CORRECT DISPOSAL

When the MX350 is to be definitively discarded, take the product to a local recycling plant for a disposal which is not harmful to the environment. This equipment should not be treated as general household waste.

Devices marked with this symbol must not be disposed of as household waste. For more information, please contact your retailer or local authorities.



## TECHNICAL SPECIFICATIONS

- Product Type:** Multi-zone Mixer Amplifier
- Frequency Response (-6dB):** 80Hz - 16kHz
- Amplifier Power:** 350W
- Speaker Output:** 70V, 100V, 4Ω-16Ω
- Output 100V Zones:** 6 Zones
- THD+N:** <1%
- SNR:** MIC: >71dB | LINE : >85dB
- Input Sensitivity:** MIC: 3mV (±0.5mV) | LINE : 300mV(±50mV)
- Audio Signal Input:** 3 x RCA (Stereo), 4 x MIC (TRS), USB, SD Card, FM Radio, Bluetooth
- Audio Signal Output:** 1 x RCA (Stereo)
- Protections:** DC Voltage, Overload, Short-Circuit
- Power Supply:** 220V-240V/50Hz-60Hz
- Cabinet Material:** Aluminum/Iron
- Dimensions (WxHxD):** 483 x 88 x 338mm (19 x 3.5 x 13.3")
- Net Weight:** 16kg (35.27lb)
- Shipping Weight:** 17kg (37.48lb)



## DESCRIÇÃO GERAL

Obrigado por ter adquirido um amplificador NEXT Audiocom MX350, amplificador multi-zonas. Este manual do utilizador irá fornecer-lhe informações úteis e importantes sobre o seu equipamento. Por favor, dedique algum tempo a lê-lo e mantenha-o à mão para referência futura.

**ATENÇÃO!** Devido à evolução contínua de técnicas e padrões, a NEXT Audiocom reserva-se o direito de alterar as especificações dos seus produtos sem aviso prévio. Para obter a versão mais atualizada deste manual e informações gerais sobre este e outros produtos, visite o nosso website [www.nextaudiocom.com](http://www.nextaudiocom.com).

## DESEMBALANDO

Os produtos da NEXT Audiocom são construídos sob rigorosas diretrizes de qualidade e supervisão, de acordo com os mais elevados padrões. Ao desembalar o MX350 verifique se existem danos em qualquer um dos componentes. Se forem encontrados quaisquer danos contacte imediatamente o seu revendedor/fornecedor para pedir instruções sobre como devolver o produto de forma correta. Sugerimos que conserve a embalagem original para que o produto possa ser embalado no futuro, quando e se necessário. Por favor, note que a NEXT Audiocom e os seus distribuidores autorizados não podem assumir qualquer responsabilidade por danos a qualquer produto devolvido utilizando embalagens não aprovadas.

## CONTEÚDOS DA EMBALAGEM:

- NEXT Audiocom MX350
- Controlo Remoto
- Cabo de Alimentação IEC
- Antena FM
- Cabo RCA
- Manual do Utilizador

## FUNCIONALIDADES

- Plataforma integrada composta por amplificador, controlador de 6 zonas, leitor de MP3 de "Pen Drive" USB ou cartão SD, sintonizador FM e Bluetooth
- Controlo remoto
- Visor em LED para visualizar informações de volume, MP3, sintonizador FM e Bluetooth
- 4 entradas de microfone e 3 entradas auxiliares
- 1 saída de sinal
- Impedância de saída de 4Ω a 16Ω para a saída de baixa impedância
- Saída de potência para linha de 100V
- Entrada de microfone com prioridade e função de tom de

aviso (Chime) com controlo de atenuação

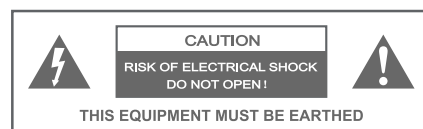
- Controlo de graves e agudos
- Medição em LED para visualização do nível de saída
- Proteção contra corrente contínua, sobrecarga e contra curto-circuito

## SEGURANÇA EM PRIMEIRO LUGAR

Por favor, dedique algum tempo para ler as seguintes declarações sobre a utilização segura do seu NEXT Audiocom MX350.

- Leia estas instruções
- Guarde estas instruções
- Preste atenção a todos os avisos
- Siga todas as instruções
- Utilize o equipamento apenas para o fim a que se destina, conforme instruído neste manual
- Ao instalar respeite as normas de segurança aplicáveis para o seu país
- Verifique sempre se o equipamento está instalado de forma segura
- Nunca instale perto de fontes de ignição ou de calor, tais como radiadores, fornos ou qualquer outro aparelho que produza calor
- Não use o equipamento perto de água ou exposto à chuva.
- Desligue o equipamento se não funcionar corretamente ou se tiver sido danificado
- Não abra ou tente reparar o equipamento. Só pode ser reparado por pessoal devidamente qualificado e autorizado
- Limpe o equipamento apenas com um pano limpo e seco

## AVISOS



### CUIDADO:

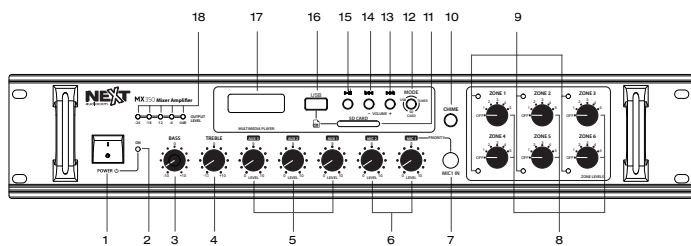
Nunca remova a tampa, caso contrário, pode haver risco de choque elétrico. Não existem peças reparáveis no interior. As reparações devem ser realizadas apenas por pessoal de serviço qualificado.

O símbolo de relâmpago com ponta de seta dentro de um triângulo equilátero tem como objetivo alertar o utilizador sobre a presença de "tensão perigosa" não isolada dentro do invólucro do produto, que pode ser de magnitude suficiente para constituir um risco de choque elétrico.

O ponto de exclamação dentro de um triângulo equilátero tem o objetivo de alertar o usuário sobre a presença de instruções importantes de operação e manutenção.

# PRIMEIROS PASSOS

## PAINEL FRONTAL MX350



### 1. Interruptor de alimentação

Liga e desliga o MX350

### 2. Indicador LED de Estado do Amplificador

Acende em vermelho quando o MX350 está ligado

### 3. Botão de ajuste de graves

Aumenta ou diminui a resposta de graves do sistema

### 4. Botão de ajuste de agudos

Aumenta ou diminui a resposta de agudos do sistema

### 5. Botões de volume das entradas auxiliares

Aumenta ou diminui o volume das entradas auxiliares

### 6. Controle de volume dos Microfones 1 e 2

Aumenta ou diminui o volume das entradas de microfone 1 e 2

### 7. Entrada do Microfone 1

Este canal de microfone é o que deve ser usado para anúncios e outras comunicações que requerem prioridade

### 8. Botões de ajuste de volume de zonas

Aumenta ou diminui o volume de cada zona individualmente

### 9. Indicadores LED de nível de zona

Indicam a presença de áudio em cada zona

### 10. Botão de tom de aviso (Chime)

Pressione para emitir um tom de aviso

### 11. Ranhura de cartão SD MP3

Insira um cartão SD com ficheiros MP3 para reproduzir

### 12. Botão de Funções

Prima para alternar entre as funções de leitor MP3, sintonizador FM, Bluetooth ou modo de entradas auxiliares

### 13. Botão de Avançar

**MP3/Bluetooth:** Pressione para reproduzir a música seguinte. Pressione continuamente para aumentar o volume de entrada geral  
**Sintonizador FM:** Prima para mudar para a próxima estação memorizada. Pressione continuamente para aumentar o volume de entrada geral do sintonizador

### 14. Botão de Retroceder

**MP3/Bluetooth:** Pressione para reproduzir a música anterior. Pressione continuamente para diminuir o volume de entrada geral  
**Sintonizador FM:** Prima este botão para mudar para a estação de rádio memorizada anterior. Pressione continuamente para diminuir o volume de entrada geral do sintonizador

### 15. Botão de reprodução/pausa

**MP3:** Prima este botão para reproduzir ou fazer uma pausa na música selecionada

**Sintonizador FM:** Pesquise e memorize automaticamente todas as estações de rádio disponíveis

**MP3/Bluetooth:** Pressione para reproduzir a música seguinte. Pressione continuamente para aumentar o volume de entrada geral

**Sintonizador FM:** Prima este botão para mudar para a estação de rádio memorizada anterior. Pressione continuamente para diminuir o volume de entrada geral do sintonizador

### 15. Botão de reprodução/pausa

**MP3:** Prima este botão para reproduzir ou fazer uma pausa na música selecionada

**Sintonizador FM:** Pesquise e memorize automaticamente todas as estações de rádio disponíveis

### 16. Porta USB (apenas MP3)

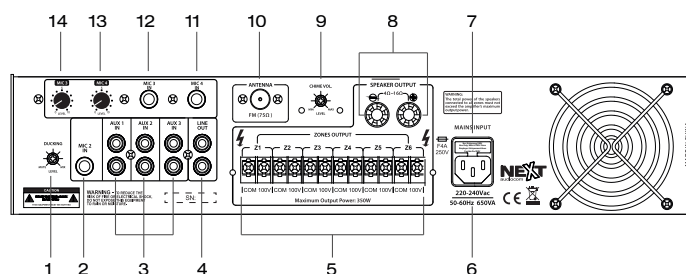
Porta para ligar um dispositivo de dados USB

### 17. Visor LED

### 18. VU LED medidor de nível

Oferece uma visualização do nível de volume do amplificador

## PAINEL TRASEIRO MX350



### 1. Botão de controlo de Atenuação "Ducking"

Controla a atenuação dos sinais comuns em prol dos sinais prioritários

### 2. Entrada do microfone 2

### 3. Conectores RCA de entrada auxiliar

### 4. Conectores RCA de saída auxiliar

Permite ligar o MX350 a um equipamento externo

### 5. Saídas das zonas

Ligue apenas colunas de linha de 100V

### 6. Conector IEC de alimentação

### 7. Fusível

F4A - 250V

### 8. Saída de baixa impedância

Para ligar colunas com impedância entre 4Ω e 16Ω

### 9. Controle do volume do tom de aviso (Chime)

Aumenta ou diminui o volume do tom de aviso (Chime)

### 10. Conector da antena de rádio

Ligue uma antena adequada de 75Ω. (Fornecida)

### 11. Entrada para o Microfone 4

Conector TRS

### 12. Entrada para o Microfone 3

Conector TRS

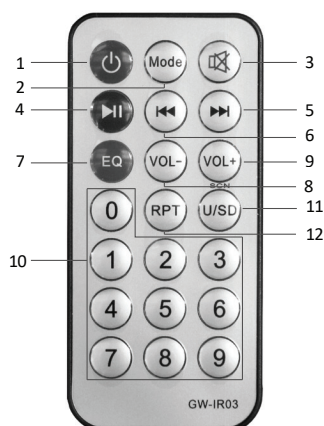
### 13. Controle de volume do Microfone 4

Aumenta ou diminui o volume do microfone 4

### 14. Controle de volume do Microfone 3

Aumenta ou diminui o volume do microfone 3

## CONTROLO REMOTO



### 1. Ligar/Desligar

Liga e Desliga o MX350

### 2. Função

Prima para alternar entre as funções de leitor MP3, sintonizador FM ou modo de entradas auxiliares

### 3. Mute

Botão de silenciamento MP3/Sintonizador FM. Pressione uma vez para silenciar, prima de novo para cancelar.

### 4. Reproduzir/Pausa

**MP3/Bluetooth:** Pressione uma vez para reproduzir. Ao reproduzir prima uma vez para parar, prima mais uma vez para continuar

**Sintonizador FM:** Prima para sintonizar e memorizar as estações de rádio encontradas por ordem crescente

### 5. Avançar

**MP3/Bluetooth:** Seleciona a próxima música

**Sintonizador FM:** Seleciona o próximo canal de estação de rádio memorizada

### 6. Retroceder

**MP3/Bluetooth:** Seleciona a música anterior

**Sintonizador FM:** Seleciona o canal da estação de rádio anterior memorizada

### 7. Equalizador

**MP3:** Seleciona entre configurações de equalizador: clássico, jazz, rock, grave acrescentado e pop

**Sintonizador FM:** Chamar uma estação de rádio usando a frequência de sintonia

### 8. Diminuir Volume

### 9. Aumentar Volume

### 10. Teclas Numéricas

### 11. U/SD

**MP3:** Alterna a reprodução entre os dispositivos de dados USB, SD ou ambos

**Sintonizador FM:** Varredura e memorização automática das estações de rádio captadas

### 12. Repetir

Funciona apenas no modo MP3, prima para alternar entre repetir apenas a música atual e repetir todas as músicas

## INTRUÇÕES DE OPERAÇÃO

**SINTONIZADOR FM** - Para ativar o sintonizador FM no MX350, prima o botão "Mode" no painel frontal (pági. 7 botão 12 ) ou no telecomando (pág. 8 botão 2) até aparecer "RAD" no visor. Não se esqueça de ligar o cabo da antena fornecido para que o sintonizador funcione corretamente

**Sintonização Automática** - Prima o botão Reprodução/Pausa no painel frontal (botão 15 pág. 7) ou no botão U/SD no telecomando para executar uma varredura automática e memorizar as estações de rádio presentes. O MX350 atribuirá um número de ID a cada estação que também corresponde ao número de memória. Com este processo concluído o MX350 emitirá a memória 1.

### Procurar Estações Memorizadas - Usando os botões do painel frontal

Prima uma vez o botão "Avançar" no painel frontal (botão 13 pág. 7) para ouvir a estação de rádio memorizada na posição de memória seguinte ou prima uma vez o botão Retroceder (botão 14 pág. 7) para ouvir o que está armazenado na posição de memória anterior. Premir continuamente qualquer um destes botões aumentará ou diminuirá o volume de som. Não há como navegar rapidamente nas memórias do canal de rádio utilizando o painel frontal do MX350.

### Procurar Estações Memorizadas - Usando o controlo remoto

Prima o botão de reprodução/pausa (botão 4 pág. 8) para ouvir a estação de rádio memorizada na próxima posição de memória ou prima o botão EQ para ouvir a estação de rádio memorizada na posição de memória anterior. Também pode selecionar diretamente um canal específico utilizando o teclado numérico. Basta escrever o número de identificação da memória que quer ouvir.

**Sintonização Manual e Sintonização Fina** - Apenas no controlo remoto, é possível sintonizar manualmente. Premir o botão "Avançar" (pág. 8 botão 5) aumentará a frequência de sintonização e premir o botão "Retroceder" (pág. 8 botão 6) diminuirá a frequência de sintonização.

**LEITOR MP3** - O leitor mp3 é automaticamente ativado assim que inserir um dispositivo USB ou cartão SD. O que estiver a reproduzir é interrompido e o programa no dispositivo de dados será reproduzido. Se o dispositivo USB ou o cartão SD já estiverem inseridos, prima o botão de função (botão 12 pág. 7; botão 2 pág. 8) até que o visor apresente USB ou SD dependendo do dispositivo de dados inserido.

**REPRODUÇÃO** - Quaisquer faixas MP3 presentes são reproduzidas automaticamente assim que um dispositivo de dados é inserido. Os ficheiros MP3 podem estar na raiz do dispositivo ou em pastas. Outros tipos de ficheiro serão ignorados se existirem. Prima o botão de "Reprodução/Pausa" no painel frontal (pág. 7 botão 15) ou no controlo remoto

# MÃOS À OBRA

(pág. 8 botão 4) para interromper a reprodução e prima novamente para retomar. Prima “Avançar” para reproduzir a próxima música e o botão “Retroceder” para reproduzir a música anterior. Também pode inserir diretamente o número correspondente à faixa que pretende ouvir. Basta escrever o ID da faixa.

**Ordenar os ficheiros MP3** - Talvez queira reproduzir as suas faixas numa ordem específica. Para isso é necessário alterar o nome das faixas para conterem o número correspondente à ordem que deseja, seguida de um ponto. Ex.: 1.track\_x.mp3, 2.track\_y.mp3, etc.

**Repetir** - A função de repetição só pode ser ativada através do controlo remoto. Prima o botão de repetição (pág. 8 botão 12) uma vez para repetir a música atual. Pressione novamente para repetir todas as músicas em forma de lista de reprodução.

**Botão de função U/SD** - No controlo remoto, prima o botão U/SD (pág. 8 botão 11) para alternar entre o dispositivo USB, o cartão SD e também reproduzir as faixas em ambos os dispositivos.

**Emparelhar Dispositivo Bluetooth** - Pressione o botão “Mode” no painel frontal (pág. 2 botão 12) até que “bt” apareça piscando no ecrã. No seu dispositivo móvel, procure por “NEXT MX350” e digite “2020” como senha. A palavra “bt” irá parar de piscar.

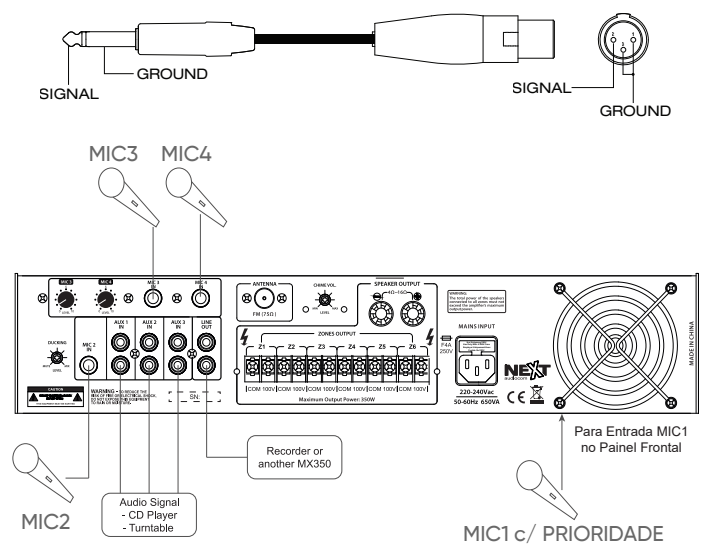
## ANÚNCIOS PRIORITÁRIOS

O MX350 suporta uma função de atenuação (Ducking) onde, quando um sinal prioritário está presente, o volume dos sinais regulares é reduzido para melhorar a inteligibilidade da mensagem. A entrada “Mic 1” e a função de tom de aviso (Chime) são considerados sinais prioritários. Quando premir o botão “Chime” ou falar através do Microfone 1, os outros sinais serão reduzidos. Estes valores de volume são definidos individualmente. Tanto o potenciômetro de volume de aviso como o potenciômetro que controla a atenuação (Ducking) estão localizados no painel traseiro. (Ver página 7)

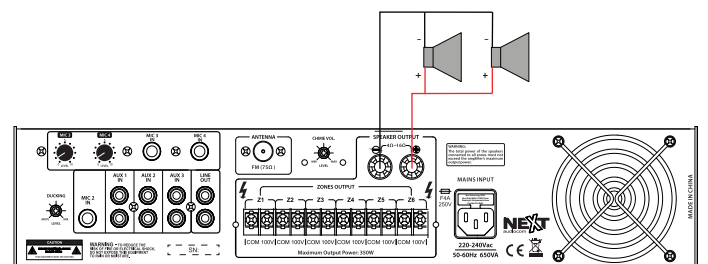
## LIGAÇÕES

### LIGAÇÕES DE ENTRADA

No MX350, o modo Auxiliar desativa o módulo Sintonizador FM/MP3 e permite trabalhar apenas com equipamentos ligados por cabo como leitores de CD. Prima o botão “MODE” (pág. 7 botão 12; pág. 8 botão 2) até que o visor apresente “AUX”. Existem 3 entradas auxiliares de RCA e 4 entradas de microfone (não balanceadas). Uma saída de sinal também está disponível em conectores RCA onde um dispositivo de gravação ou um amplificador externo podem ser ligados.



### SAÍDA DE BAIXA IMPEDÂNCIA



Para utilizar o MX350 como um amplificador de baixa impedância, ligue os alto-falantes aos terminais, como mostrado acima. Tenha cuidado para não trocar a polaridade entre os alto-falantes para evitar cancelamento de frequências graves. A impedância mínima permitida pelo amplificador é de 4Ω (dois alto-falantes de 8Ω ligados em paralelo).

### SAÍDA DE ZONAS EM LINHA DE 100V

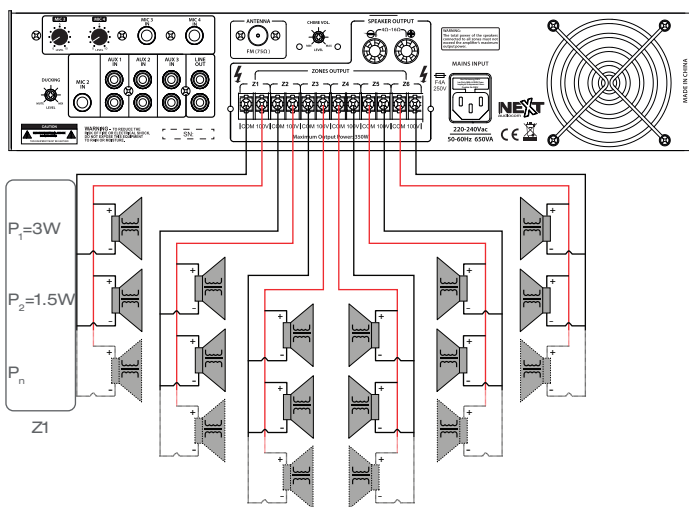
O MX350 permite a configuração de até 6 zonas de 100V distintas. Estas colunas terão um transformador como entrada, normalmente com mais do que um “tap” de potência. A linha distribuída de 100V é o melhor método quando é necessário instalar muitas colunas. A tensão mais alta permite uma corrente mais baixa para a mesma potência, o que por sua vez, permite a utilização de cabos mais longos e mais finos com pouca perda de potência.

Na tabela abaixo pode verificar-se a distância máxima que um cabo pode ter, de acordo com a sua secção (Section) para fornecer a potência total do amplificador (Power) sem perdas significativas.

Power/Section	0.75mm <sup>2</sup>	1mm <sup>2</sup>	1.5mm <sup>2</sup>	2.5mm <sup>2</sup>
30W	800m	1066m	1600m	2666m
60W	400m	533m	800m	1333m
120W	200m	266m	400m	666m
240W	100m	133m	200m	333m

A alta impedância também permite a utilização de mais altifalantes, desde que a soma total dos valores de potência configuradas nessas colunas não seja superior à potência do amplificador.

Para o MX350 isto significa que a soma dos valores de potência de todas as colunas ligadas nas 6 zonas não pode ser superior a 350W. Para uma utilização segura, recomendamos que seja 10 a 20% abaixo para permitir que um pouco de "headroom" para lidar com picos do programa musical. A utilização de valores superiores irá provavelmente danificar o amplificador ou, no mínimo, causar distorção desagradável que, com o tempo, irá danificar os altifalantes através da temperatura excessiva na bobina do altifalante.



$$P_{Z1} = P_1 + P_2 + P_n$$

$$P_{Total} = P_{Z1} + P_{Z2} + P_{Z3} + P_{Z4} + P_{Z5} + P_{Z6}$$

$$P_{Total} < 350W$$

## ATENÇÃO!

Embora o MX350 permita, nunca tenha um altifalante de baixa impedância a trabalhar ao mesmo tempo que as linhas distribuídas da Zona por um longo período de tempo.

## ATENÇÃO!

RISCO DE CHOQUE ELÉTRICO – Nunca tente ligar ou desligar as linhas de 100V com o amplificador ligado. Desligue sempre o MX350 da corrente elétrica antes de tentar quaisquer alterações na cablagem ou nas ligações.

## POLÍTICA DE GARANTIA

Os produtos NEXT Audiocom são garantidos, pela NEXT Audiocom, contra defeitos de fabrico em materiais ou execução durante um período de 2 anos a contar a partir da data de compra original para consumidor final. O recibo original de compra é obrigatório para efeitos de validação da garantia, e o produto deve ter sido comprado a um revendedor autorizado NEXT Audiocom.

A garantia pode ser transferida para um proprietário subsequente durante o período de garantia, no entanto, esta não pode prolongar o período de garantia original de dois anos a partir da data original de compra indicada na fatura. Durante o período de garantia, a NEXT Audiocom reparará ou substituirá um produto que se revele defeituoso desde que o produto seja devolvido na sua embalagem original, enviando pré-pago, a um agente ou distribuidor autorizado NEXT Audiocom. A NEXT Audiocom não pode ser responsabilizada por defeitos causados por modificações não autorizadas, uso impróprio, negligência, exposição a condições meteorológicas inclementes, ato de Deus ou acidente, ou qualquer utilização deste produto que não esteja de acordo com as instruções fornecidas por este manual e/ou a NEXT Audiocom. A NEXT Audiocom não se responsabiliza por danos consequentes. Esta garantia é exclusiva e nenhuma outra garantia está expressa ou implícita. Esta garantia não elimina os seus direitos legais.

## DESCARTE CORRETO DO PRODUTO

Quando o MX350 for descartado definitivamente, leve o produto a uma unidade de reciclagem local para um descarte que não seja prejudicial ao meio ambiente. Este equipamento não deve ser tratado como lixo doméstico geral.

Os dispositivos marcados com este símbolo não devem ser descartados como lixo doméstico. Para obter mais informações, entre em contato com seu revendedor ou com as autoridades locais.



## ESPECIFICAÇÕES TÉCNICAS

**Tipo de Produto:** Amplificador Misturador Multi-Zona

**Frequência de Resposta (-6dB):** 80Hz - 16kHz

**Potência de Amplificação:** 350W

**Saída para Colunas:** 70V, 100V, 4Ω-16Ω

**Saída de Zonas 100V:** 6 Zonas

**THD+N:** <1%

**SNR:** MIC: >71dB | LINHA : >85dB

**Sensibilidade de Entrada:**

MIC: 3mV (±0.5mV)

LINHA : 300mV(±50mV)

**Entrada de Sinal Áudio:** 3 x RCA (Stereo), 4 x MIC (TRS), USB, Cartão SD, Rádio FM e Bluetooth

**Saída de Sinal Áudio:** 1 x RCA (Stereo)

**Proteções:** Corrente Contínua, Sobrecarga, Curto-Circuito

**Fonte de Alimentação:** 220V-240V/50Hz-60Hz

**Material da Caixa:** Alumínio/Ferro

**Dimensões (LxAxP):** 483 x 88 x 338mm (19 x 3.5 x 13.3")

**Peso Líquido:** 16kg (35.27lb)

**Peso Bruto:** 17kg (37.48lb)

 Rua da Venda Nova, 295 | 4435-469 Rio Tinto, Portugal

 [info@nextaudiocom.com](mailto:info@nextaudiocom.com)

 [www.nextaudiocom.com](http://www.nextaudiocom.com)

 [instagram.com/next.audiocom](https://www.instagram.com/next.audiocom)

 [facebook.com/nextaudiocom](https://www.facebook.com/nextaudiocom)

**NEXT**  
audiocom